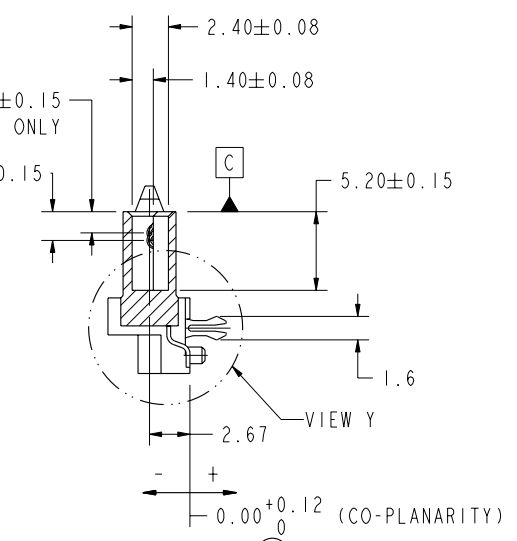
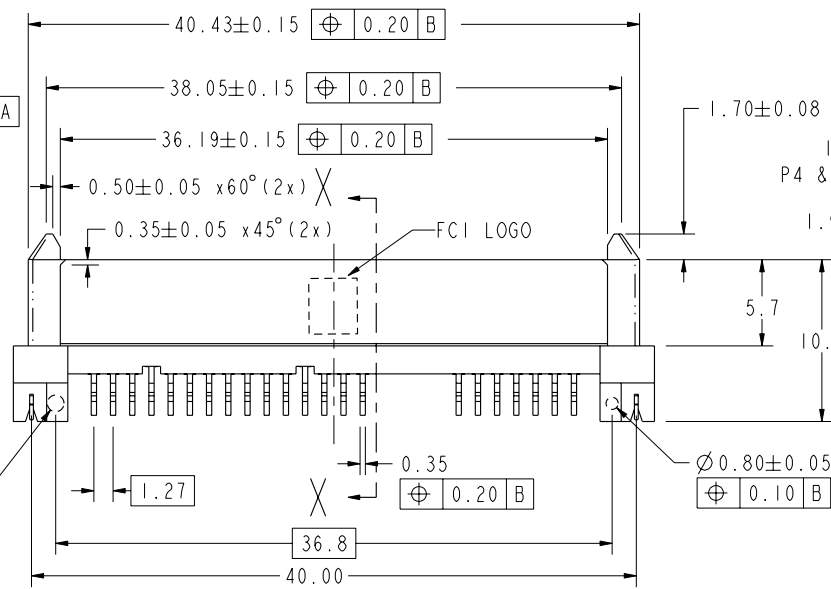
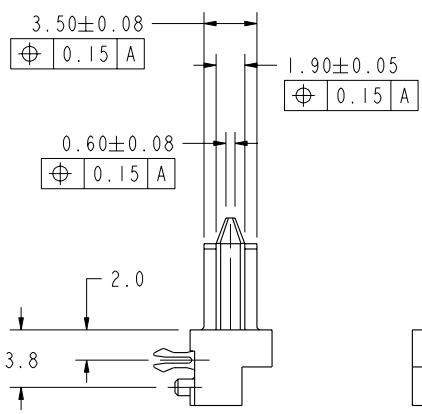
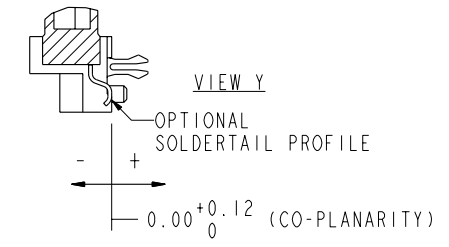
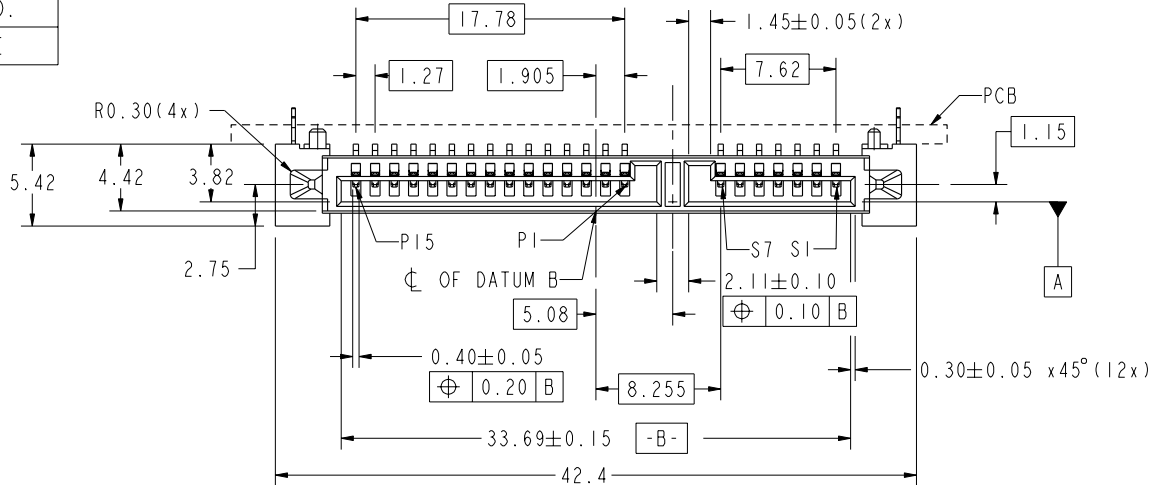


PRODUCT NO.
SEE TABLE



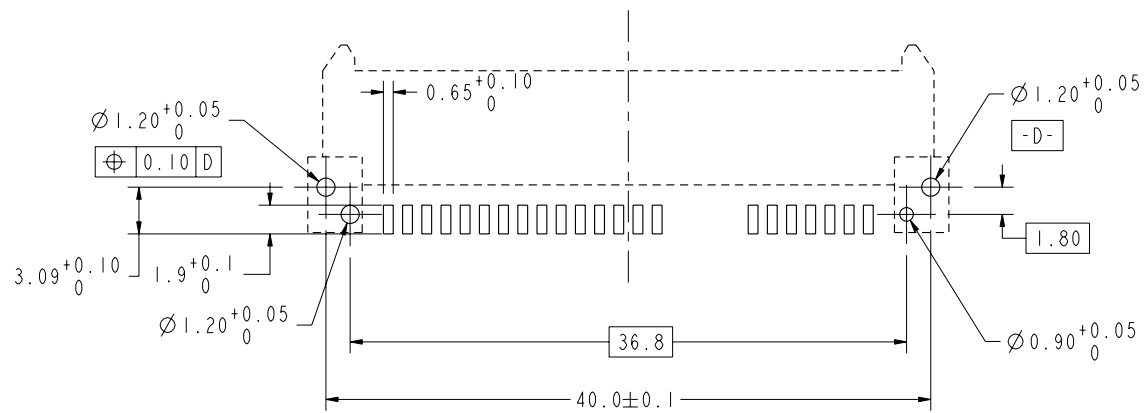
Copyright FCI.

rev	ecn no	dr	date
H	S08-0168	BLLIM	2008-05-30
J	S08-0271	BLLIM	2008-08-19
D	S06-0029	TEO	2006-02-03
E	S07-0048	CWL	2007-02-12
F	S07-0064	CWL	2007-03-02
G	S08-0086	BLLIM	2008-03-25

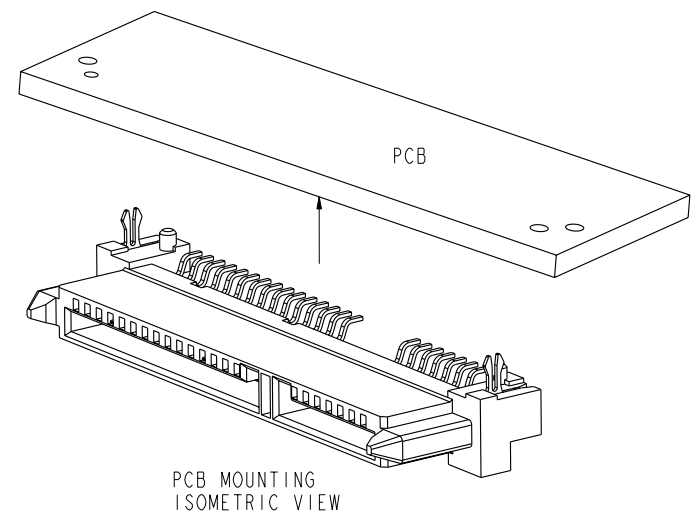
www.fci.com		surface ASME Y14.5	tolerance std ASME Y14.5	projection	MM
		TOLERANCES UNLESS OTHERWISE SPECIFIED		size A4	Scale 2:1
Dr	JPEH	2003-12-19	ANGULAR	0.X	±----
Eng	BL LIM	2008-08-19	LINEAR	0.XX	±0.20
Chr	BL LIM	2008-08-19	2° ±°	0.XXX	±----
Appr	JOEY NG	2008-08-19	Product family		Spec ref
FCI			S-ATA COMB RECEPTCLE		dwg no 10029364
			R/A SMT TYPE ASSY		Rev. J
catalog no			CUSTOMER		sheet 1 of 2

REV F - 2006-04-17

PRODUCT NO.	RECOMMENDED P.C.B. THICKNESS
10029364-001LF	1.6mm
10029364-002LF	1.0mm



RECOMMENDED P.C.B. LAYOUT
TOLERANCE UNLESS OTHERWISE ±0.10



NOTES:-

1. MATERIAL:
 - 1) HOUSING : HIGH TEMP. THERMOPLASTIC, UL 94V-0
COLOR : BLACK
 - 2) TERMINAL : COPPER ALLOY
 - 3) HOLD DOWN : COPPER ALLOY
2. FINISH:
 - 1) TERMINAL : 30u" GOLD PLATING (CONTACT POINT)
OVER 50u" MIN NICKEL
 - 2) SOLDER TAIL : 100u" MIN TIN OVER 50u" NICKEL
 - 3) HOLD DOWN : 100u" MIN TIN OVER 50u" NICKEL
3. TRUE POSITION APPLY AT TERMINAL TIP
4. THE STANDARD PACKAGING IS IN TRAY.
5. THE HOUSING WILL WITHSTAND EXPOSURE TO 260°C PEAK TEMPERATURE FOR 10 SECONDS IN A CONVECTION, INFRA-RED OR VAPOR PHASE REFLOW OVEN
6. THIS PRODUCT MEETS EUROPEAN UNION DIRECTIVES AND OTHER COUNTRY REGULATIONS AS DESCRIBED IN GS-22-008
7. PART NUMBERS ENDING IN "LF" ARE MEANT FOR LEAD-FREE IDENTIFICATION. P/N XXXXXXXX-XXXLF IS EQUIVALENT TO PREVIOUS P/N XXXXXXXX-XXX
8. A Δ SYMBOL WILL BE PLACED NEXT TO ANY DIMENSION, VIEW, OR NOTE WHICH HAS BEEN MODIFIED WITH THE CURRENT DRAWING REVISION.

FCI	title	S-ATA COMB RECEPTCLE	dwg no	10029364	Rev.	J
		R/A SMT TYPE ASSY				
	catalog no		CUSTOMER		sheet 2 of 2	



Copyright FCI.